

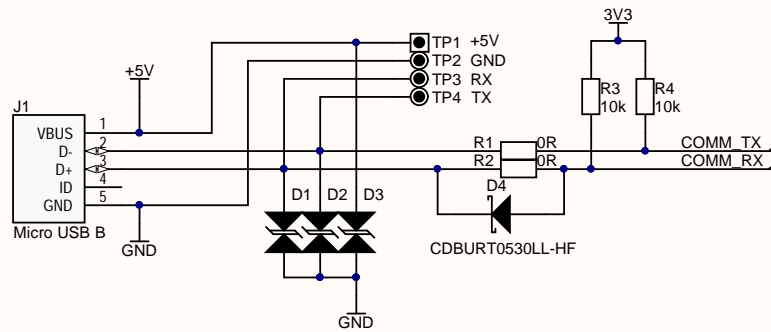
ams Confidential © ams AG

Product: AS7265x [No Variations]
 PCB Name: a0141b_CSS Moonlight AS7265x.PcbDoc Rev 2.0.0

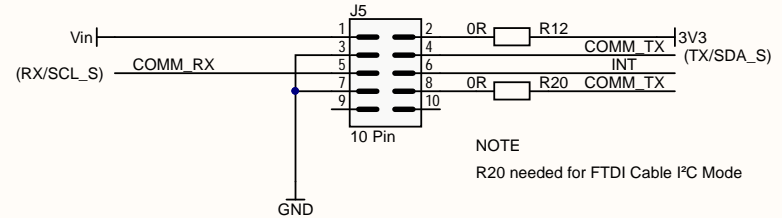
Application Engineer: RGOE Release Date: 28/05/2018
 Sheet Name: a0141b0_CSS Moonlight AS7265x_scm01.SchDoc

Page Size: A4 Last Save Date / Time: 5/31/2018 / 05:01:43 PM
 Project: a014_CSS Moonlight Sheet 3 of 4

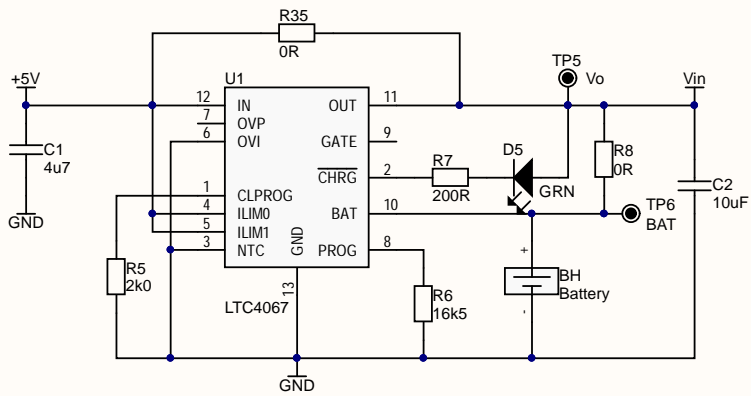
UART Interface



Alternative System Interface (NEW)



NOTE
R20 needed for FTDI Cable I²C Mode

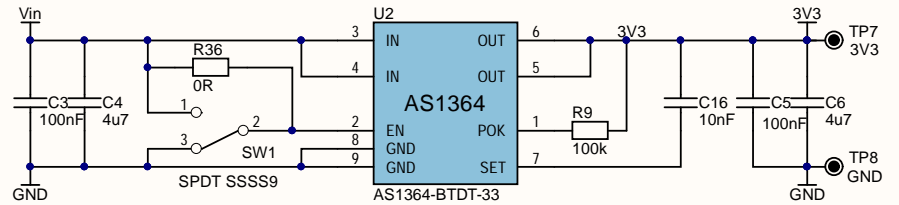


NOTE

R5 = 2K sets the input current limited to 500mA. $I_{lim} = 1000V/R3$

R6 = 16.5K sets the charging current to 61mA. $I_c = 1000V/R5$

Expect an LIR2450 Lithium-ion battery



Confidential © ams AG

Product: AS7265x [No Variations]
PCB Name: a0141b_CSS Moonlight AS7265x.PcbDoc Rev 2.0.0

Application Engineer: RGOE Release Date: 28/05/2018
Sheet Name: a0141b0_CSS Moonlight AS7265x_scm02.SchDoc

Page Size: A4 Last Save Date / Time: 5/31/2018 / 05:01:45 PM
Project: a014_CSS Moonlight Sheet 4 of 4