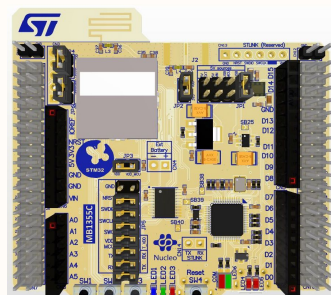
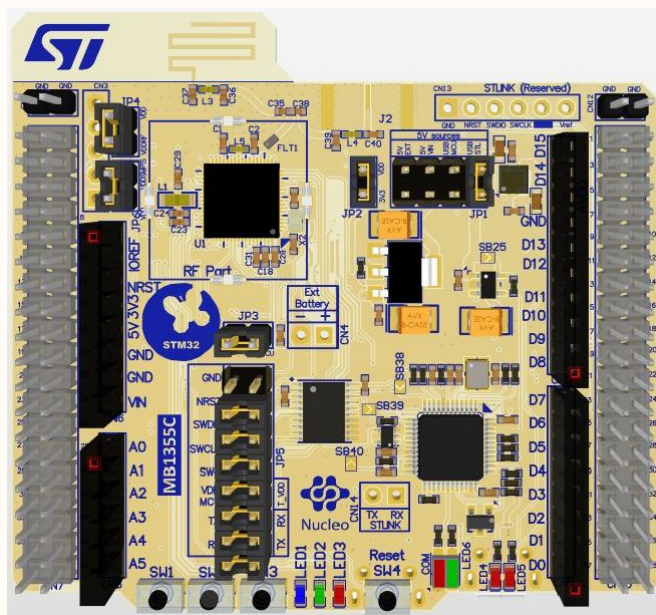


NUCLEO-WB55.Nucleo

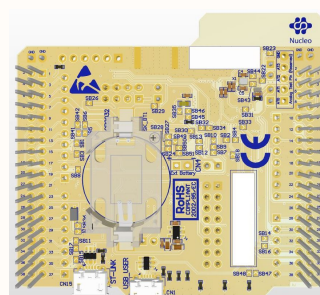
MB1355

Table of contents

- Sheet 1: Project overview (this page)
- Sheet 2: STM32WB55RG microcontroller I/Os
- Sheet 3: STM32WB55RG RF part
- Sheet 4: Arduino/Morphos extension connectors
- Sheet 5: Power Management
- Sheet 6: ST-Link/V2-1



Top view



Bottom view

Legend

This Board is a NUCLEO68. It is dedicated of STM32WB55RG evaluation.
The package embedded is : VFQFPN68_8mmx8mmx0.1mm.

Manufacturing requirements :

Solder_Mask : Both Sides, Color : white

Silkscreen : Both Sides, Color : light blue or blue

PCB : 4 Layers (see Stack-up Description On Mechanical page)

Text/Logo to be added to silkscreen.

Top

Bottom

Open Platform License Agreement

The Open Platform License Agreement (“Agreement”) is a binding legal contract between you (“You”) and STMicroelectronics International N.V. (“ST”), a company incorporated under the laws of the Netherlands acting for the purpose of this Agreement through its Swiss branch 39, Chemin du Champ des Filles, 1228 Plan-les-Ouates, Geneva, Switzerland.

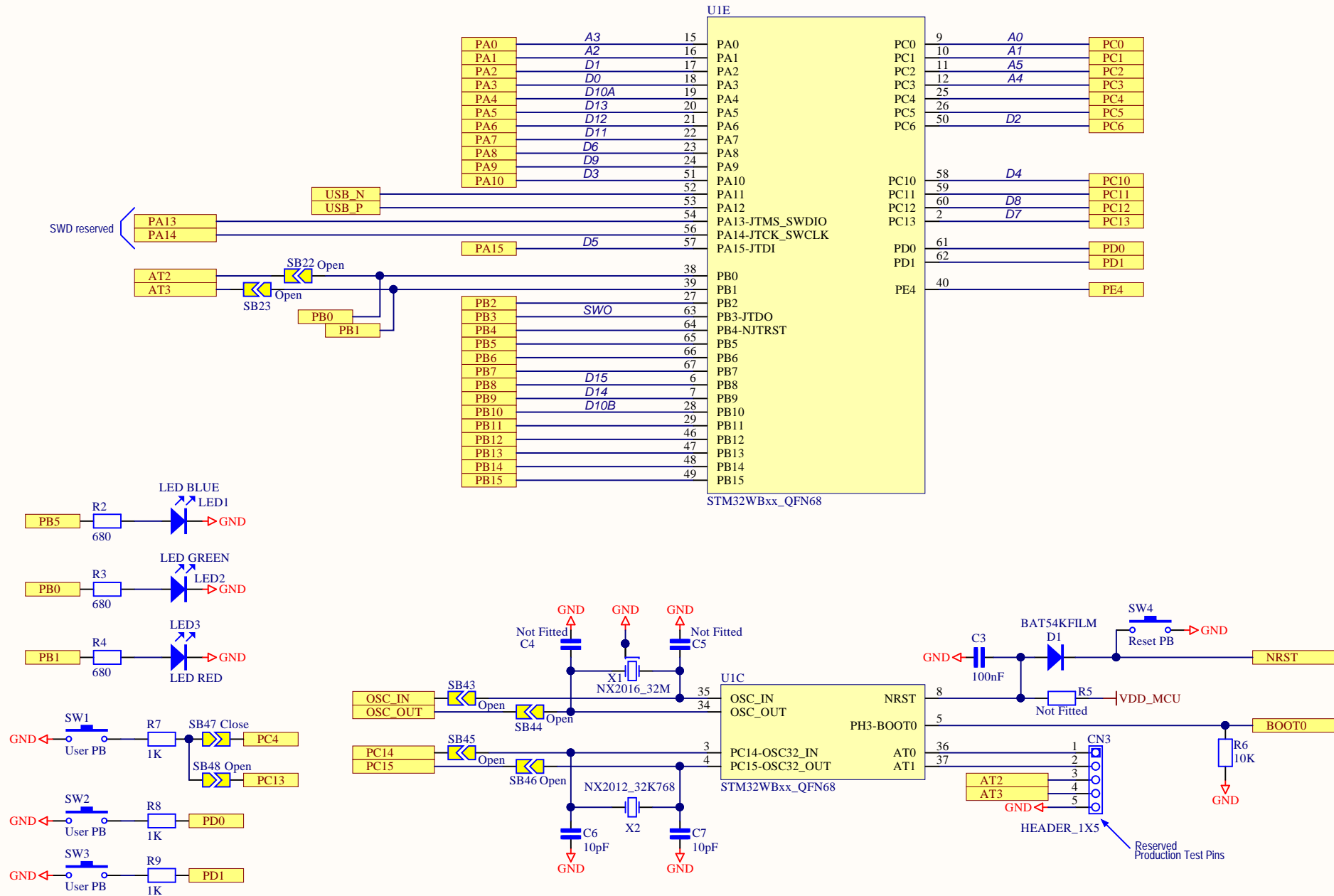
By using the enclosed reference designs, schematics, PC board layouts, and documentation, in hardcopy or CAD tool file format (collectively, the “Reference Material”), You are agreeing to be bound by the terms and conditions of this Agreement. Do not use the Reference Material until You have read and agreed to this Agreement terms and conditions. The use of the Reference Material automatically implies the acceptance of the Agreement terms and conditions.

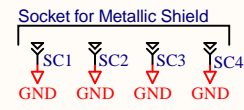
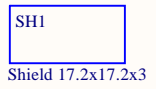
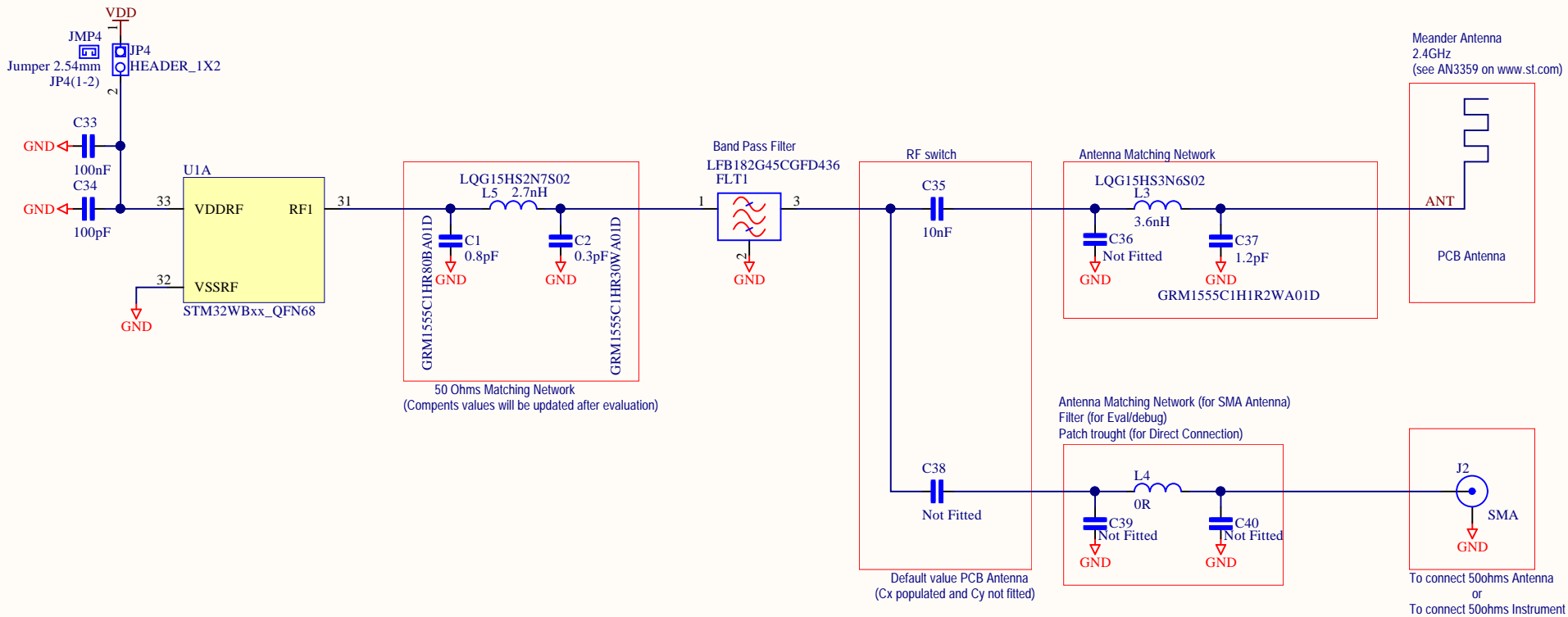
The complete Open Platform License Agreement can be found on www.st.com/opla.

Title: Project overview	
Project: NUCLEO-WB55.Nucleo	
Variant: [No Variations]	
Revision: C-02	Reference: MB1355
Size: A4	Date: 20-Dec-2018
Sheet: 1	of 6

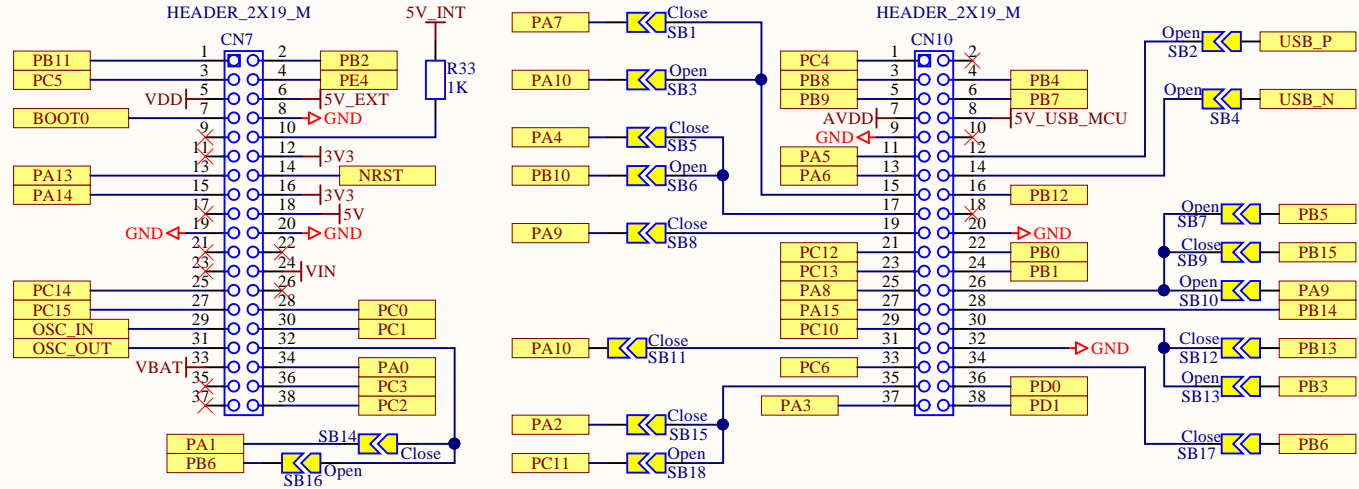


life.aumentec

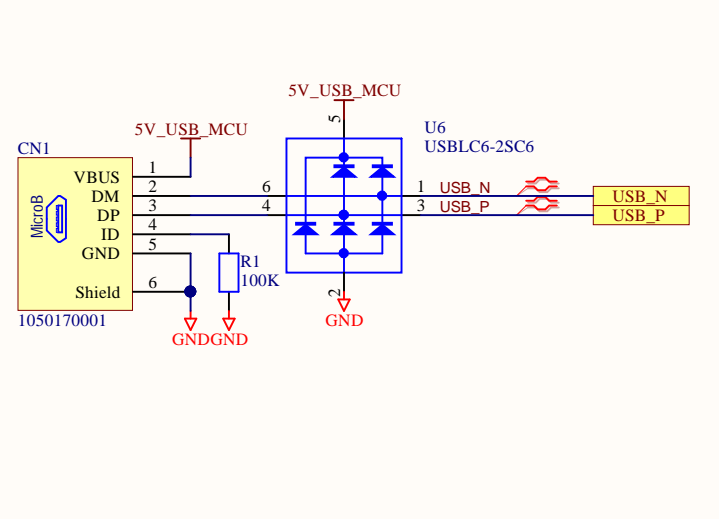




Morpho connectors



STM32WB55 USB Connector



Arduino Shield Connectors

